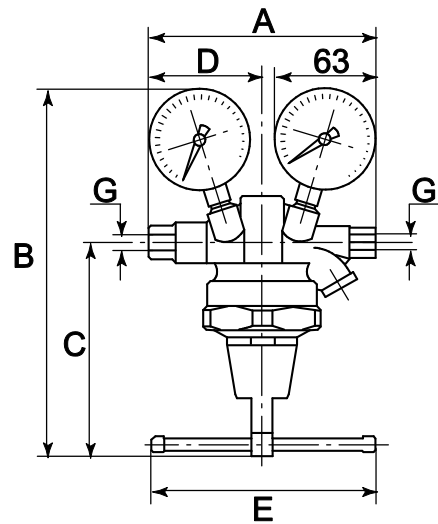


Inline pressure regulator for up to 200 bar input pressure; suitable for compressed air, nitrogen and other neutral, compressed gases.

Working pressure: Max. 200.0 bar  
 Working temperature: -10 °C to +90 °C  
 Material: Brass  
 Sealant: NBR  
 Adjustment: Knob (50.0 bar)  
 Rotary switch (100.0 and 150.0 bar)  
 Flow direction: According to the arrow (left to right)  
 Mounting position: optional  
 Nominal diameter: DN 3  
 Weight: 2200 g



637.912



### Inline pressure regulators, incl. pressure gauge

Article No.	Ident No.	Thread	Control range bar	Flow rate l/min	A mm	B mm	C mm	D mm	E mm
639.11	101268	G1/4 female	1 – 50	2500	162.0	188.5	100.0	76.0	50.0
639.12	101269	G1/4 female	1 – 100	2700	162.0	213.5	125.0	76.0	130.0
639.13	101270	G1/4 female	1 – 150	2900	162.0	213.5	125.0	76.0	130.0